

Proline

Drying cabinet TS 63 VP


MAIN FEATURES

- Capacity 8 kg (17.6 lbs)
- Hanging length 16 m (52.5 ft)
- Width, 120 cm (47 inch)
- HTS - Humidity Tracking System
- Gentle drying mode
- Four automatic programs
- Hanging rail rotates out 180° and doors open 190°
- Double overheat protection for increased security
- Removable top panel for easy installation/handling
- Choose between Swedish, English, Norwegian, Danish, French, German and Spanish display texts
- Delivered semi-mounted, top packed as an assembling kit



Versatile garment drying solutions for every industry

ProLine TS 63 VP is a new, unique drying cabinet with a heat pump. It has a very low energy consumption of 1.7 kWh. The drying cabinet is equipped with a Humidity Tracking System (HTS) which senses the humidity level and stops the drying process when the laundry is dry. Drying cabinets are ideal for drying delicate garments that should not be tumble dried. ProLine TS 63 VP dries efficiently without friction which extends the life-span of the garments. The drying cabinet is equipped with four automatic program

HTS - Humidity Tracking System 

| Main data | TS 63 VP |
|------------------------|-----------|
| Capacity, kg/lbs | 8 (17.6) |
| Hanging length, m (ft) | 16 (52.5) |
| Part no | 131031 |

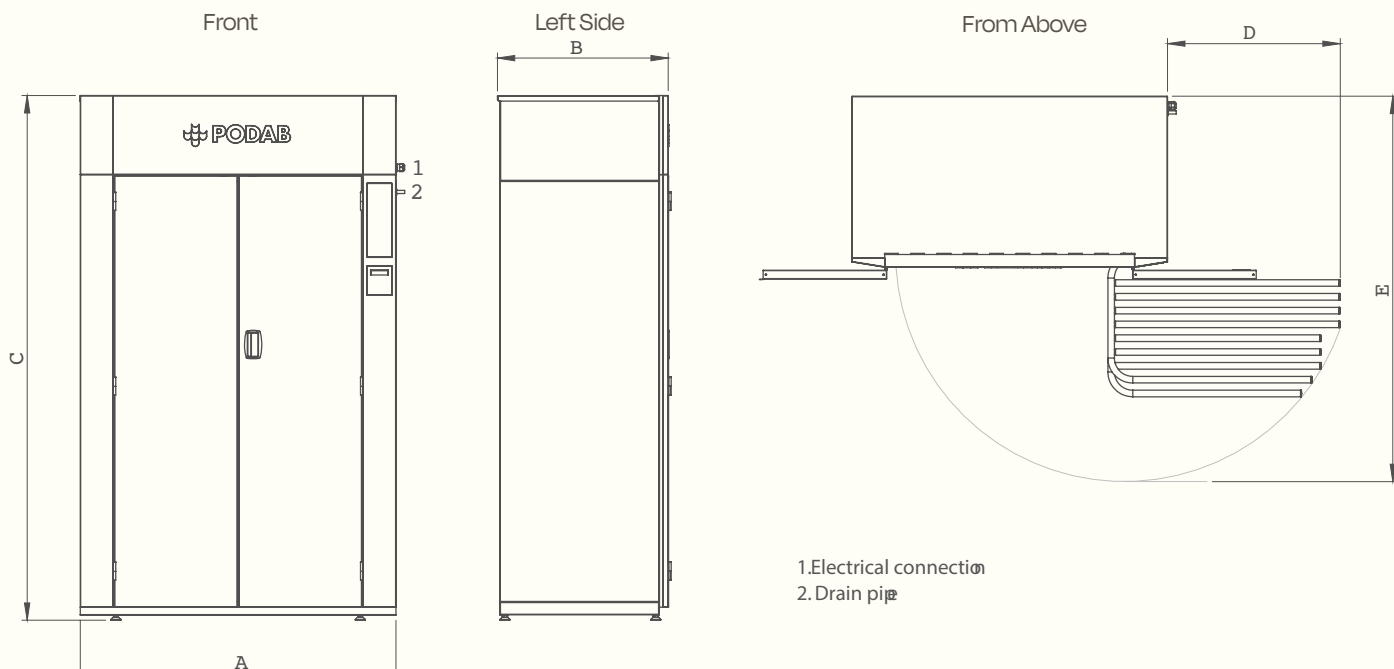
| Consumption data, normal temperature* | |
|---------------------------------------|-----------|
| Drying time, min | 58 |
| Energy consumption, kWh | 1.7 |
| Drying capacity, g/min (oz/min) | 45 (1.59) |

*Drying of 6 kg cotton (dry weight), washed and high-spinned to 43% residual moisture, dried to 0 % residual moisture.



Technical specifications Proline TS 63 VP

| Drying Cabinet | TS 63 VP |
|---|---------------|
| Electrical connections | |
| Phase/Voltage/Frequency | 3~N/400V/50Hz |
| Total effect, kW | 1.5 |
| Fuse, A | 10 |
| Cable length, mm (inch) | 2100 (82.7) |
| Heat Pump | |
| Drain pipe, ø mm (inch) | 12 (0.47) |
| Refrigerant, type | R407C |
| Refrigerant, g (oz) | 1050 (37) |
| Optional extras | |
| Single bar, part no | 131070 |
| Hook rack, set of three, part no | 131071 |
| Airborne sound level, dB(A) | |
| | 56 |
| Weight | |
| Net, kg (lbs) | 165 (364) |
| Shipping data net, kg (lbs) | 180 (397) |
| Minimum ceiling height mm (inch) | |
| | 2050 (80.7) |



| Dimensions in mm (inch) | A | B | C | D | E |
|-------------------------|-------------|------------|-------------|-------------------------|-------------------------|
| | Width | Depth | Height | Width with hanging rail | Depth with hanging rail |
| TS 63 VP | 1200 (47.2) | 650 (25.6) | 1995 (78.5) | 1857 (73.1) | 1465 (57.7) |

